



# American Pneumatic Tools

American Pneumatic Tools, is a leading provider of Air Tools for the construction industry. Established in 1938, APT has grown steadily and achieved worldwide recognition for its premium line of quality Air Tools for high performance operations. American Pneumatic Tools, has all their tools manufactured to their exact APT controlled specifications and designs in state-of-the-art manufacturing facilities around the world. Superior performance, excellent product reliability, competitive pricing, ergonomic designs, and a warranty second to none, are what make American Pneumatic Tools, an Industry leader.

## How APT Tools are made

The pneumatic tools provided by American Pneumatic Tools, are made from only top quality raw materials. The valves, pistons, and other moving parts are made from shock resistant tool steels and then heat treated to a specified hardness for toughness and durability. Handles, front heads, back heads, and cylinders are made from carburizing grades of drop forged, exceptionally hard alloy steels. The carburizing heat treating process results in parts which have hard surfaces and resilient cores that withstand and dampen shock waves. Internal parts are precision ground to 32 microinch finish or better. Sophisticated manufacturing equipment such as CNC Mills, CNC Grinders, and CNC Turning Machines are used to ensure the highest consistency and quality of all machined parts. This computerized numerically controlled equipment allows experienced craftsmen to hold dimensions to very close tolerances, for example some parts are machined to tolerances as close as +/- .0002 inches. Prior to assembly of the air hammers, all parts are subject to quality inspection using air gages and other electronic and standard quality control processes. Once the air tools are assembled, they are each individually tested in the APT testing department using automated equipment. The research and development department is continually striving to improve tool features and design, making them more reliable, more efficient, safer, and more comfortable to use. American Pneumatic Tools, is proud to be one of the leading providers of robust and reliable air tools which are an industry standard of excellence.



For assistance in any sales, technical, maintenance or repair questions, please call APT @  
Phone: (800) 532-7402 or (714) 285-2828 • Fax: (800) 715-6502 or (714) 285-2829  
1000 S. Grand Ave, Santa Ana, CA 92705

Website: [www.apr-tools.com](http://www.apr-tools.com) • e-mail: [info@apr-tools.com](mailto:info@apr-tools.com)

TDS-1000 Rev B

© 2017 AMERICAN PNEUMATIC TOOLS a business unit within: Construction Equipment North America LLC.



# American Pneumatic Tools

## Safety Precautions:

**Wear approved protective gear** such as hard hats, safety shoes, goggles and face shields. **Do not alter or remove any safety features.**

**Read and understand** the safety labels that are bonded to the air tool. Do not attempt to remove these safety labels, they are there for your protection and safety, and that of others.

**Check** that the air throttle is operating correctly and that chisel retainers are not worn out. Faulty or badly worn chuck bushings and pistons are a primary cause of excessive shank wear and destruction of the striking end of the tool.

**Misuse is dangerous.** Tools and their accessories should be only used for those purposes they were designed for. If there are any questions regarding the proper usage, contact the AMERICAN PNEUMATIC TOOL Customer Service Department.

**Start your work with reduced air pressure** and avoid burying the tool. Tools that are ran without the tool bit against the workpiece are subject to a building up of stresses and may damage the tool. Always use a firm and steady pressure when running an air tool. Using any air tool as a lever or prying instrument is dangerous and will cause tool damage.

## SAFETY INFORMATION

Prior to using any pneumatic tool, the operator must read and understand the operating and safety instructions provided with each tool. The operator should be verbally instructed by their supervisor on the safe operating practices when working with pneumatic tools. Personnel should be aware of any local safety requirements.

## EYE, FACE AND BODY PROTECTION

**Eye protection** must be worn at all times when using any air tool. Any debris large or small can become a dangerous projectile. All visitors or other personnel in the immediate area where an air tool is being used must also wear eye and ear protection. Eye protectors must meet the following requirements:

- Provide adequate protection against hazards for which they are designed.
- Be reasonably comfortable when worn under the designated condition.
- Fit snugly without interfering with the movements or the vision of the wearer.
- Be durable.
- Be capable of being disinfected and cleaned.
- Be kept in good working condition.

**Impact resistant face protection** should be used in situations where there is exposure to tool operation or when deemed necessary. Impact resistant face protection should be worn over the eye protection and is not intended to take the place of eye protection.

**Safety shoes and/or steel toe shoes** must be worn at all times by anyone operating pneumatic tools and by anyone in the immediate area.

**Safety hard hats** must be worn at all times by anyone operating air tools, particularly when doing overhead work or by anyone in the immediate area.

**Loose fitting clothing or jewelry** of any type must not be worn when operating air tools.

For assistance in any sales, technical, maintenance or repair questions, please call APT @

Phone: (800) 532-7402 or (714) 285-2828 • Fax: (800) 715-6502 or (714) 285-2829

1000 S. Grand Ave, Santa Ana, CA 92705

Website: [www.apr-tools.com](http://www.apr-tools.com) • e-mail: [info@apr-tools.com](mailto:info@apr-tools.com)

TDS-1002 Rev B

© 2017 AMERICAN PNEUMATIC TOOLS a business unit within: Construction Equipment North America LLC.



# American Pneumatic Tools

## SAFETY INFORMATION Continued

### TOOL MAINTENANCE AND OPERATION

All APT tools must be inspected to make sure they are working correctly prior to operation. All components must be checked to make sure they are tight and there are no missing or damaged parts. **DO NOT** turn the tool towards your body or towards anyone else. **ALWAYS** work with the tool firmly pointed to the workface. Operation of the tool without the impact being applied to the workface may result in injury and will also damage the tool. **NEVER** adjust, remove, repair or store pneumatic tools without disconnecting the air supply and relieving the hose of air pressure. Never change tool steel or any accessories without disconnecting the air supply first. **NEVER** leave an idle tool connected to an air supply to prevent accidental actuation. The air supply must be turned off at the source or at the air compressor. Keep all spectators away from the work area. If there must be spectators, they must be kept at a safe distance from the workplace where pneumatic tools are being operated. **ALWAYS** inspect the tool steel carefully for cracks or damage. **NEVER** operate pneumatic equipment with damaged tool steel. Be sure that the steel is properly sharpened. Consult your tool steel catalog for proper selection of tool steel for the application. **DO NOT** touch tool steel or other air hammer accessories while the tool is working. Wear gloves and make sure rubber handles are in good condition if the tools are fitted with them. **NEVER** attempt to use a pneumatic tool without a chisel retainer. **ALWAYS** inspect retainers for damage or excessive wear and do not use damaged or worn retainers. Check all bolts for proper torques. American Pneumatic Tool suggests the use of air regulators to ensure a recommended air pressure of 90 psi (6.2 bar). **ALWAYS** inspect all air hoses for cracks, worn threads, damaged or loose quick connect couplings in order to prevent injury resulting from a whipping air hose. Look out for excess air hose around the work area to prevent tripping and falling. Ensure proper footing and balance when operating any air tool.

### VIBRATION

The nature of the work with pneumatic tools can be uncomfortable to the operator. Prolonged use of pneumatic tools may be harmful to your hands and arms. You can minimize vibration by using proper operator technique, correct air pressure (90 psi), sharp steels and anti-vibration tools. American Pneumatic Tool offers ergonomic air hammers designed specifically to reduce harmful vibration to the operator without reducing the power of the tool.

### NOISE

Prolonged exposure to noise caused by normal operation of pneumatic equipment may lead to hearing disorders. OSHA regulates the maximum sound level to which an operator may be exposed. Hearing protection should be used by anyone operating equipment and anyone being exposed to noise caused by pneumatic equipment. American Pneumatic Tool recommends the use of APT mufflers designed to reduce the noise level of APT tools.

Please take the time to ensure your safety and that of others. It is impossible to cover in this catalog all the possible dangers of operating pneumatic tools, **ALWAYS** use common sense and good judgment. If you have any doubts concerning the safe operation of our tools, please call APT at (800) 532-7402 or 562-204-1555. Please make sure operators read and understand the safety label bonded to every tool, and the safety information supplied with the new tool. Should you require additional copies of the safety information, please contact APT or your distributor. APT also offers a safety manual booklet for the operating and maintenance personnel. Call APT for details.

All air tool operators should be properly trained in the safe and efficient use of pneumatic equipment. Any defective or malfunctioning tool should be immediately disconnected from its air supply and returned to APT for repair or to an authorized American Pneumatic Tool service center.

For assistance in any sales, technical, maintenance or repair questions, please call APT @

Phone: (800) 532-7402 or (714) 285-2828 • Fax: (800) 715-6502 or (714) 285-2829

1000 S. Grand Ave, Santa Ana, CA 92705

Website: [www.apr-tools.com](http://www.apr-tools.com) • e-mail: [info@apr-tools.com](mailto:info@apr-tools.com)

TDS-1003 Rev B

© 2017 AMERICAN PNEUMATIC TOOLS a business unit within: Construction Equipment North America LLC.



# American Pneumatic Tools

## OPERATING INSTRUCTIONS FOR APT AIR TOOLS

### Air Pressure

The recommended air requirement for the operation of APT tools is 90 psi (6.2 bar). Lower air pressure will decrease power, too high a pressure will increase unwanted stresses in the tool.

For proper CFM ratings, please refer to the specification charts shown for each tool in this catalog.

### Hose Size

APT recommends the use of at least 1/2" inside diameter or larger hoses to assure sufficient air flow to the tool. For portable compressor hose and longer lengths, 3/4" hose is recommended. Keep the overall length of the hose to a minimum to prevent pressure loss at the tool.

### Connecting Hoses

Hoses should be rated for a minimum of 250 psi (17.2 bar). Before connecting the air hose to the tool, check the tool inlet connector to be sure it is clean and free of dirt or debris. Keeping dirt and debris from entering the tool will assure long and satisfactory operation.

### Tool Operation

Check the tool and any accessories for damage or loose parts. Make sure all safety devices are fitted correctly and are in good condition. Install the proper accessory steel into the tool. Place the tool steel onto the work surface and hold the tool firmly.

Feet should be placed squarely on the ground to maintain balance. Actuate the throttle lever or trigger to operate the tool. Never operate an air tool without the correct size accessory steel properly installed. Keep the accessory steel firmly in contact with the work surface. Do not leave a tool lying idle with the air supply connected. Never point a tool toward anyone or any surrounding objects. To stop operation, release the throttle lever or trigger.

For assistance in any sales, technical, maintenance or repair questions, please call APT @

Phone: (800) 532-7402 or (714) 285-2828 • Fax: (800) 715-6502 or (714) 285-2829

1000 S. Grand Ave, Santa Ana, CA 92705

Website: [www.apr-tools.com](http://www.apr-tools.com) • e-mail: [info@apr-tools.com](mailto:info@apr-tools.com)

TDS-1004 Rev B

© 2017 AMERICAN PNEUMATIC TOOLS a business unit within: Construction Equipment North America LLC.



# American Pneumatic Tools

## LUBRICATION OF PNEUMATIC TOOLS

Oil is the essential element necessary to guarantee maximum tool life and performance. The most significant factor contributing to failure or premature wear of any tool is the lack of lubrication or the use of an improper lubricant. Lack of lubrication will result in overheating of the piston, tappet, rifle bar, etc. Repeated overheating will quickly cause piston failure by either breaking the piston or damaging the cylinder bore. AMERICAN PNEUMATIC TOOLS recommends using a light oil to lubricate its percussion type tools such as chipping hammers, rivet busters, clay and trench diggers, paving breakers, tampers as well as the 9lb and 15lb rock drills. This lightweight oil should be an air tool oil, 10W motor oil, or an equivalent grade ATF fluid. Air tool oil contains rust and oxidation inhibitors which help reduce the negative effects of moisture penetrating the tool by way of the air supply. APT recommends using a lubricant especially formulated for use in the heavier rock drills. Rock drill oil is high viscosity oil, with additives designed to cope with the extreme conditions such as heat, velocity and pressures associated with air tool operation.

Some air tools provided by APT have built-in automatic oil reservoirs. These built in oilers have a capacity of about 1 ½ ounces which provide between 2 to 4 hours of lubrication. The operator must make sure that the oil reservoir is refilled. To be safe, this should be done every 2 hours of operating time.

It is recommended that all APT tools be used with an in-line oiler of sufficient capacity to guarantee 8 hours or more of lubrication supply to the tool. The capacity of these in-line oilers range from 3.7 fluid ounces to 16 fluid ounces. Oilers come equipped with a metering screw inside the reservoir which allows the operator to adjust the oil flow from light to heavy mists of oil. To install an in-line oiler, use a whip hose to place the oiler approximately 8 feet away from the tool. Attach the oiler end to the air supply hose and attach the other end of the whip hose, which is then attached to the tool. Don't forget to install whip checks as an extra safety precaution. (Hose to hose and hose to tool style whip checks are available from APT). Ensure the in-line oiler is installed properly by checking the oil flow indicator arrow on the side of the oiler.

### **Please refer to**

the accessories section in this manual for APT in-line oilers ordering information.

### **To obtain more information**

about the types of air tool oil that oil manufacturers recommend, please consult your local oil supplier, APT distributor or the  
AMERICAN PNEUMATIC TOOLS  
Customer service Department.

For assistance in any sales, technical, maintenance or repair questions, please call APT @  
Phone: (800) 532-7402 or (714) 285-2828 • Fax: (800) 715-6502 or (714) 285-2829  
1000 S. Grand Ave, Santa Ana, CA 92705

Website: [www.apr-tools.com](http://www.apr-tools.com) • e-mail: [info@apr-tools.com](mailto:info@apr-tools.com)

TDS-1005 Rev B



# American Pneumatic Tools

## SCALERS



For assistance in any sales, technical, maintenance or repair questions, please call APT @

Phone: (800) 532-7402 or (714) 285-2828 • Fax: (800) 715-6502 or (714) 285-2829

1000 S. Grand Ave, Santa Ana, CA 92705

Website: [www.apr-tools.com](http://www.apr-tools.com) • e-mail: [info@apr-tools.com](mailto:info@apr-tools.com)

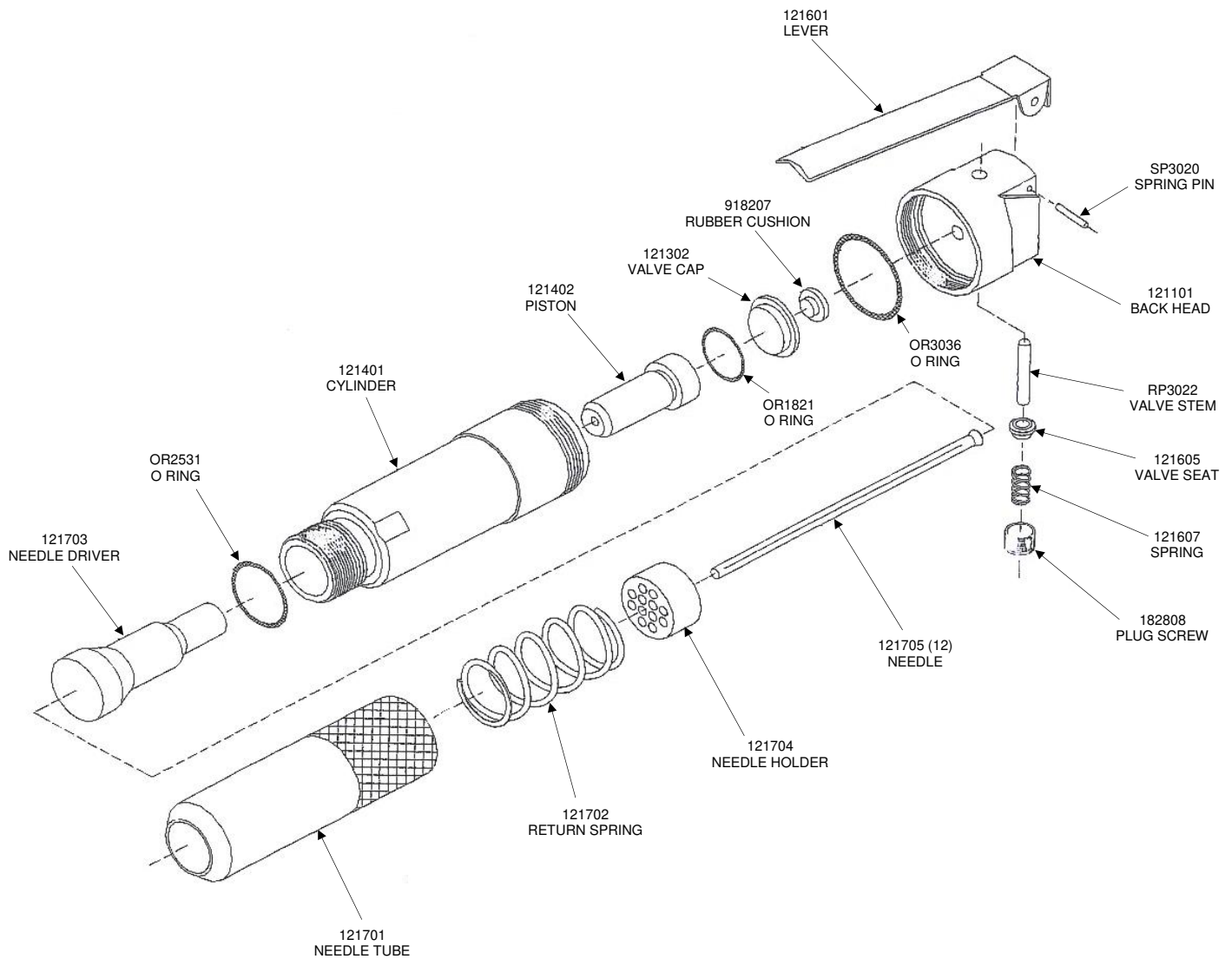
TDS-1069 Rev B

© 2017 AMERICAN PNEUMATIC TOOLS a business unit within: Construction Equipment North America LLC.



# American Pneumatic Tools

## APT MODEL 121 MINI SCALER PART # 18568



For assistance in any sales, technical, maintenance or repair questions, please call APT @  
Phone: (800) 532-7402 or (714) 285-2828 • Fax: (800) 715-6502 or (714) 285-2829  
1000 S. Grand Ave, Santa Ana, CA 92705

Website: [www.apr-tools.com](http://www.apr-tools.com) • e-mail: [info@apr-tools.com](mailto:info@apr-tools.com)

TDS-1071 Rev B

© 2017 AMERICAN PNEUMATIC TOOLS a business unit within: Construction Equipment North America LLC.



# American Pneumatic Tools

## MODEL 121 MINI NEEDLE SCALER

PART # 18658



The Model 121 Mini Needle Scaler is a small, lightweight tool ideal for working in those “hard to reach” places. Although compact, it delivers the “punch” found in much larger scalers. It will clean irregular surfaces and also remove rust, paint and other coatings from metal. This tool is also versatile enough to peen welded joints and remove slag, as well as, clean castings, chip stone, concrete and brickwork.

| Part #                | 18568           |
|-----------------------|-----------------|
| Bore Diameter(inches) | 0.70"           |
| Stroke (inches)       | 1"              |
| Blows per Minute      | 4500            |
| CFM @ 90 psi          | 5               |
| Weight (lbs)          | 4 lbs           |
| Length (inches)       | 11-3/4"         |
| Air Inlet Size        | 1/4" NPT FEMALE |

For assistance in any sales, technical, maintenance or repair questions, please call APT @  
Phone: (800) 532-7402 or (714) 285-2828 • Fax: (800) 715-6502 or (714) 285-2829  
1000 S. Grand Ave, Santa Ana, CA 92705

Website: [www.apr-tools.com](http://www.apr-tools.com) • e-mail: [info@apr-tools.com](mailto:info@apr-tools.com)

TDS-1073 Rev B

© 2017 AMERICAN PNEUMATIC TOOLS a business unit within: Construction Equipment North America LLC.





# American Pneumatic Tools

## WARRANTY RETURN INFORMATION TERMS AND CONDITIONS

For assistance in any sales, technical, maintenance or repair questions, please call APT @

Phone: (800) 532-7402 or (714) 285-2828 • Fax: (800) 715-6502 or (714) 285-2829

1000 S. Grand Ave, Santa Ana, CA 92705

Website: [www.apr-tools.com](http://www.apr-tools.com) • e-mail: [info@apr-tools.com](mailto:info@apr-tools.com)

TDS-1089 Rev B

© 2017 AMERICAN PNEUMATIC TOOLS a business unit within: Construction Equipment North America LLC.



# American Pneumatic Tools

## RETURNED MATERIALS POLICY

Return shipment of new merchandise will be accepted and credit will be allowed subject to the following provisions:

A Returned Materials Authorization (RMA) number must be assigned by Construction Equipment North America LLC prior to shipment. This RMA number must be prominently displayed on the package. Packages with no RMA number may be refused. Construction Equipment North America LLC reserves the right to accept or reject credit for returned goods.

- a. Service parts being returned must be listed as currently supplied on the price list at the time of return. Obsolete and discontinued parts cannot be returned.
- b. Service parts must be in new and resalable condition, in the original package (when applicable), with part numbers clearly marked.
- c. Items returned must be accompanied by their original invoice or the invoice number and date as well as a description of the items being returned.  
Construction Equipment North America LLC shall have the sole determination of whether or not items are "current," "unused," and "undamaged," and whether or not the proper invoices or invoice numbers and dates have been provided.
- d. Special-order items are not returnable for credit.
- e. Credit on returned goods will be issued at purchase price or current price, whichever is lower, less a 20% restocking charge.
- f. Any return must be accompanied by an offsetting order for new merchandise in an amount at least equal to the net value of the credit or greater.
- g. All returned shipments will be made to Construction Equipment North America LLC's designated receiving point, freight prepaid at the sender's expense.

## GENERAL WARRANTY CONDITIONS & LIMITATIONS ON LIABILITY

### Pneumatic Products Warranty

APT warrants its products to the original purchaser to be free from defective materials and workmanship. The liability of APT is limited to the replacement of any part(s) which are judged to be defective in materials and/or workmanship by APT, provided APT is notified of the suspect part within the warranty period after receipt of the product by the original purchaser. Does not include wear items. This warranty entitles the original purchaser to have the warranted parts and labor rendered at no cost during this warranty period when the product is delivered prepaid to the APT facility in Santa Ana, California. This warranty does not apply to products which APT judges to have been misused, modified or repaired by parties other than APT personnel. This warranty does not apply to tools that have been improperly maintained by the user or when the malfunction or defect can be attributed to the use of parts that are not genuine APT OEM repair parts.

### Additional APT Products Warranty

1.1 Construction Equipment North America LLC warrants its new equipment against failure due to faulty material or workmanship for a period of twelve (12) months from the date of purchase of said machine, excluding expendable wear parts. To facilitate warranty claims processing, please return the completed warranty card within thirty (30) days of purchase.

1.2 Should any failure under this warranty occur during the specified period under normal and proper use, and provided the equipment has been properly serviced, maintained, and stored with due regard to any directions, instructions, and operating procedures published by Construction Equipment North America LLC, Construction Equipment North America LLC shall, if given prompt notice by purchaser, through its authorized servicing facility, correct such non-conformity at its option either by repair or adjustment, F.O.B. nearest service facility, or refund the purchase price of the non-conforming equipment or part. The return of the equipment or part to Construction Equipment North America LLC, pursuant to this paragraph, shall be at the purchaser's risk and expense. Construction Equipment North America LLC will return unit to the purchaser at Construction Equipment North America LLC's expense. To be eligible for credit or replacement, warranty parts must be returned to Construction Equipment North America LLC within 30 days of the original claim.

1.3 Construction Equipment North America LLC warrants parts repaired or replaced pursuant to 1.2 above under normal and proper use, storage, service, and maintenance against defects in workmanship and material for a period of thirty (30) days from date of repair or adjustment or the expiration of the equipment warranty, whichever is longer.

1.4 The foregoing warranties do not apply to defects in equipment or parts caused by materials provided by the purchaser or by redesigns made by the purchaser or by repairs or alterations not authorized by Construction Equipment North America LLC.

1.5 THE FOREGOING WARRANTIES ARE EXCLUSIVE AND IN LIEU OF ALL OTHER WARRANTIES OF QUALITY, WRITTEN, ORAL OR IMPLIED, AND ALL OTHER WARRANTIES INCLUDING ANY WARRANTY OF MERCHANTABILITY OR FITNESS FOR PURPOSE ARE HEREBY DISCLAIMED.

1.6 Correction of non-conformities as provided for above shall be purchasers' exclusive remedy and shall constitute fulfillment of all liabilities of Construction Equipment North America LLC whether in warranty, contract, negligence, tort or otherwise. Construction Equipment North America LLC shall not be liable for any damages which a purchaser may claim arising from loss of profits or revenue, loss of use of the equipment or parts, cost of capital, cost of substitute equipment or parts, downtime costs, or claims of customers for such other damages.

1.7 Construction Equipment North America LLC reserves the right to amend this warranty policy at any time with thirty (30) days written notification, but said changes will not affect previously sold equipment, parts or tools.

For assistance in any sales, technical, maintenance or repair questions, please call APT @  
Phone: (800) 532-7402 or (714) 285-2828 • Fax: (800) 715-6502 or (714) 285-2829  
1000 S. Grand Ave, Santa Ana, CA 92705

Website: [www.apr-tools.com](http://www.apr-tools.com) • e-mail: [info@apr-tools.com](mailto:info@apr-tools.com)

TDS-1090 Rev B

© 2017 AMERICAN PNEUMATIC TOOLS a business unit within: Construction Equipment North America LLC.



## AMERICAN PNEUMATIC TOOLS

1000 S. Grand Ave., Santa Ana, Ca. 92705  
 Tel: (714) 285-2828, Fax: (714) 285-2829  
 Toll Free Tel: (800) 532-7402, Toll Free Fax: (800) 715-6502  
 e-mail: [leticia.rocha@apt-tools.com](mailto:leticia.rocha@apt-tools.com)  
[april.colaluca@apt-tools.com](mailto:april.colaluca@apt-tools.com)

## RETURN MATERIAL AUTHORIZATION FORM

When returning any APT product to our facility in Santa Ana, California, for any reason, the customer must first obtain the **RETURN MATERIAL AUTHORIZATION (RMA) #** from our customer service department  
 A completed RMA must accompany all items being returned in order to assist APT in processing. If an unused tool(s) or part(s) are being returned for restock, they must be returned in their original packaging. Used tools/parts will not be restocked. APT reserves the right to refuse any returns without prior authorization.

### RETURN MATERIAL AUTHORIZATION PROCEDURE

Contact APT by fax, phone or e-mail for a Return Material Authorization (RMA) number  
 This form will then be e-mailed or faxed to you.

A copy of this **COMPLETED RETURN MATERIAL AUTHORIZATION FORM** must be inside all of the packages being returned.

The RMA # is to be prominently marked on the outside of every package being returned.

**A minimum 20% handling and restocking charge** will be applied to all returns unless the situation dictates otherwise and prior authorization has been obtained from APT with the RMA #.

Only those items listed on the enclosed RMA document will be processed.

**PLEASE ENTER ALL THE INFORMATION REQUESTED BELOW (We suggest you make a copy for your records)**

| RMA #   |             | Customer:                          |  |
|---|-------------|------------------------------------|--|
| Date:   |             | Location:                          |  |
| Contact:  |             | Phone #:                           |  |
|   |             | Fax:                               |  |
| Sales Order # /PO # / Invoice # / Tool Serial #               |             |                                    |  |
| <b>PLEASE CHECK ALL THAT MAY APPLY</b>                        |             |                                    |  |
| Do Not Want   |             | Estimate for Repair (non-warranty) |  |
| Incorrect Item Ordered  |             | Repair and return to customer      |  |
| Incorrect Item Shipped  |             | Replace/exchange                   |  |
| Defective   |             | Damaged                            |  |
| Other (please state)  |             |                                    |  |
| <b>ENTER PART# , QUANTITY AND SERIAL # (WHERE APPLICABLE)</b> |             |                                    |  |
| Part/Ser. #   | Description | Qty                                |  |
|   |             |                                    |  |
| Part/Ser. #   | Description | Qty                                |  |
|   |             |                                    |  |
|   |             |                                    |  |
|   |             |                                    |  |
|   |             |                                    |  |
|   |             |                                    |  |
|   |             |                                    |  |
|   |             |                                    |  |
|   |             |                                    |  |
|   |             |                                    |  |